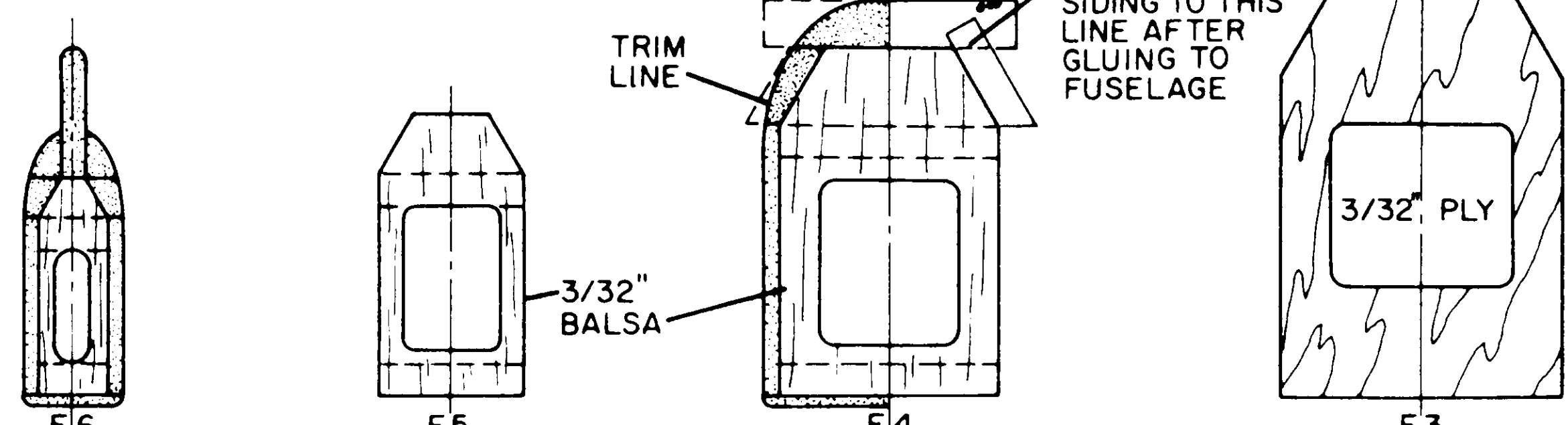
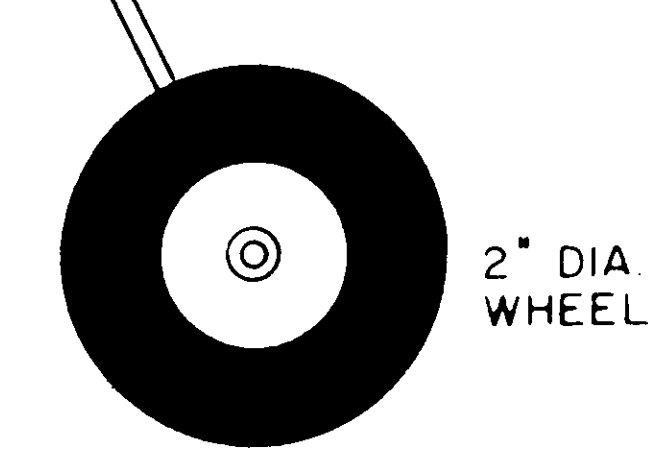


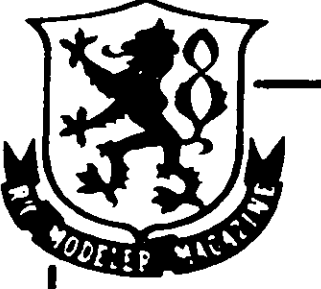
EQUIPMENT USED IN ORIGINAL
 KRAFT GOLD MEDAL SERIES
 KPS 10 SERVOS
 225 MAH BATTERY PACK
 O.S. MAX .19 R/C
 8" X 6" PROP
 SUPER MONOKOTE COVERING
 TATONE MOTOR MOUNT
 GOLDBERG CONTROL HORNS
 4 OZ. SULLIVAN TANK

WING SPAN = 44-1/2"
 WING AREA = 356 SQ. IN.
 LENGTH = 37-1/2"
 WEIGHT (EMPTY TANK) = 2-1/4 LBS.



BUILD SERVO POD FROM SCRAP BALSAS - SMALLER SERVOS WILL FIT WITHOUT THE POD.





BOKKIE

DESIGNED BY	H. ALLAN
DRAWN BY	DICK KIDD

